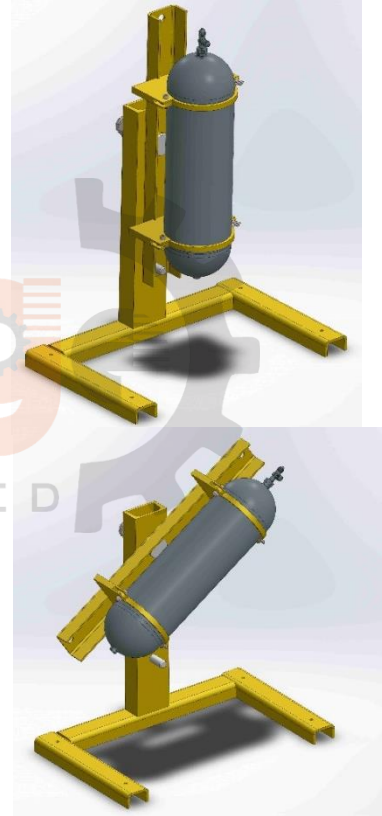
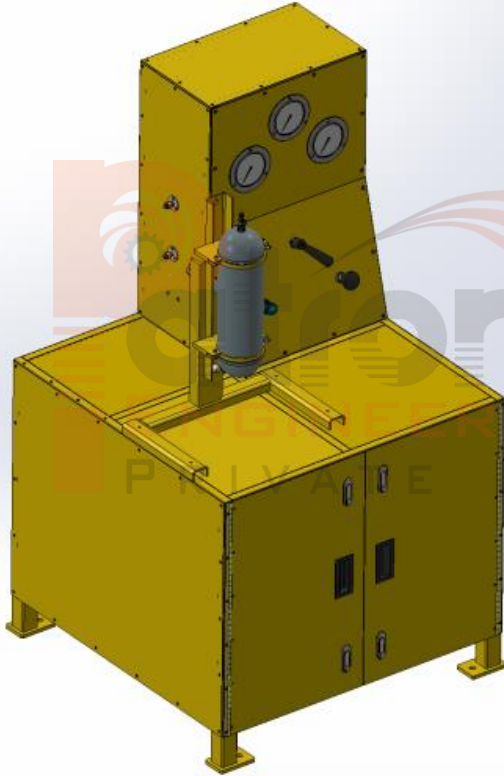


Stand For Depreservation Of Hydraulic Accumulator of Su-30 MKI Aircraft



About:-

This Equipment is used for depreservation of hydraulic and pneumatic sections by air of hydraulic accumulator of SU-30 MKI aircraft.

Specifications:-

- Working pressure
- Inlet of Hydraulic chamber, $\text{kg/cm}^2 = 3$
- Inlet of Pneumatic chamber, $\text{kg/cm}^2 = 3, 1$
- LxWxH(mm) = 900x900x1550
- Dry Weight(Kg) = 100
- Tank Capacity(Ltr) = 25

Customer:-



+91 9305 618 032 | +0551-2451111 | patronageengg2015@gmail.com

Registered Office:- 665 Krishna Nagar Basharatpur Road Gorakhpur Up 273004.
Corporate Office:- C-23, Basement, Office no-2, Sector-63, Noida, Uttar Pradesh - 201301